

KABA[®]

Kaba quattro plus

The patented reversible key system for highest demands

- International Patent WO 01/774466, valid until 2021
- Cylinder complies with EN 1303 Key Related Security Grade 6 (DIN cl. 3, Vds Gr. B)
- Cylinder is available with steel housing for highest security
- Maximum protection for the end user: replacement keys are made exclusively in the Kaba factory against the Kaba security card in the chosen security level
- Smart key bow clips in 12 different colors
- Smart key with Legic-chip for use in Kaba elologic mechatronic cylinders as well as in all Legic applications

Kaba quattro pluS

Technical Information and Dimensions

The reversible key is extremely difficult to copy. The code on the key is not made by drilling but by using a special milling process which conceals the exact dimensions of the code on the key. There are also millings on the edge positions. This gives additional security against unauthorized key duplication.

The system can have up to 22 pairs of pins per cylinder side. Resistance against picking is achieved by using especially designed pin tumblers. The lengths of the pairs of pins are always identical - this gives the highest level of anti-picking protection. Each of the up to 22 tumbler pins can vary in up to 4 steps. The four rows of tumbler pins are radially positioned in up to 44 different positions yielding a nearly unlimited amount of variations.

The advantages at a glance

Flexibility

Kaba lock cylinders are available from 60 to 200 mm standard length. Variable door thicknesses are no longer a problem. A full range of other cylinder types are available (camlocks, rim cylinders, padlocks, furniture locks, switches, etc.). The modular construction allows the easy installation of inserts into other lock cylinder and various lock housings.

Security

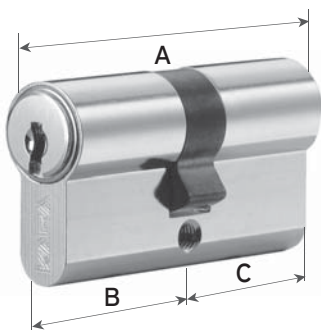
In master key systems Kaba quattro pluS modular lock cylinders guarantee no loss of security when compared individually keyed lock cylinders by not using divided tumbler pins.

Kaba quattro pluS lock cylinders are manufactured according to the following security standards:

- DIN 18252 class 3b
- VdS Klasse B and
- European standard EN 1303 Key Related Security Grade 6 and with optional security elements
- Attack Resistance Grade 2

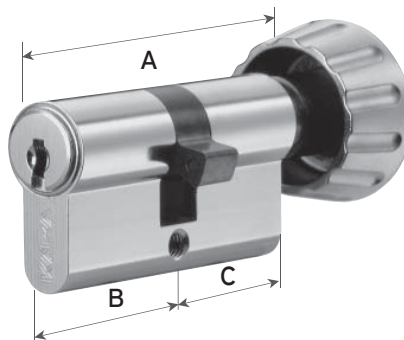
Upgrade

By replacing the standard clip with a Legic® transponder clip, the key can also be used in mechatronic and electronic master keys systems as well in data collection applications such as time attendance or cash free vending.



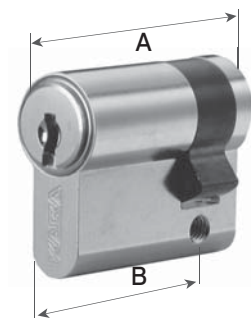
Double cylinder

Order Code	A	B	C
7.DZ 30+ 30	60.0	30.0	30.0
7.DZ 30+ 35	65.0	30.0	35.0
7.DZ 30+ 40	70.0	30.0	40.0
7.DZ 100+100	200,0	100,0	100,0



Thumbturn cylinder

Order Code	A	B	C
7.DKZ 30+ 30	60.0	30.0	30.0
7.DKZ 30+ 35	65.0	30.0	35.0
7.DKZ 30+ 40	70.0	30.0	40.0
7.DKZ 100+100	200.0	100.0	100.0



Single cylinder

Order Code	B
7.HZ 30	30.0
7.HZ 35	35.0
7.HZ 40	40.0
7.HZ 100	100.0

Kaba Security Pte Ltd
 Block 203A, #07-03
 Henderson Road
 Henderson Ind Park
 Singapore 159546
 Tel. +65 6275 1211
 Fax. +65 6275 1233
 info@kaba.com.sg

www.kaba.com.sg

Kaba quattro pluS en 04/08, Art.No. 11609167
 Technical changes reserved.

