



**KABA®**

## Kaba elolegic c-lever

This electronical door furniture is lock and cylinder independent. It makes any door a standalone access control system which is easy to program and operate. Its optical and acoustic signalisation characterize this special, battery-operated door furniture solution.

# Tailor-made Flexibility – Kaba eolegic c-lever

## Tailored flexibility

The Kaba eolegic product family is a modern access control system, which is based on the renowned contact-free RFID Legic® technology. All components such as mechatronic cylinders and locks, digital cylinders, readers, keys, ID cards and door furniture can be combined to a flexible and safe standalone access control system.

The Kaba eolegic system is complemented by a programming device and software for simple management of electronic or mechatronic master key systems.

## Kaba eolegic c-lever

As a further member of the Kaba eolegic family, we introduce Kaba eolegic c-lever mechatronic door furniture.

Contact-free wake up of the electronics and reading of Legic® media make handling especially easy and safe in operation. Granted or denied access is easily recognized by the user both acoustically and visually.

## Product characteristics

The Kaba eolegic c-lever mechatronic door furniture excels in high user friendliness, elegant design and compact dimensions. The electronics, integrated in the inside door shield, recognize keys, badges or other media without contact. If a valid medium is read by the electronics, the outside lever handle is engaged by a motor driven coupling unit and the door can be opened.

With the “TimePro” functions, a permanent “open” period can be programmed, e.g. if the door may be accessed during the day without identification.

The Legic chip facilitates additional applications such as time attendance, cash free payment, registration, etc.

## Areas of application

The broad application possibilities are unique. Fitting solutions can be offered according to customer requirements and organizational building conditions. The suitable function for the access organization requested is chosen with the respective Kaba eolegic line.

### T-Line

Access for a large number of media per fitting for permanent and temporary access with time functions and transaction memory.

### U-Line

Data storage in the medium is possible (Mobile function).

## Applications

- Universities
- Hospitals
- Banks and insurance agencies
- Public buildings
- Industry
- Airports, etc.

# Efficient and Clever – Lock Independent Door Furniture

## Benefits

- Easy upgrade of existing mechanical door locks to a mechatronic standalone access system
- Lock and cylinder independent
- Increased operational safety with maximum flexibility
- Simple and fast installation
- Available in two shield widths, e.g. 38.5 and 54 mm
- No wiring required
- Easy to program and operate
- Energy saving electronics in inside door shield
- Flexible time programming for permanent and/or temporary access as well as day/night and office functions (TimePro)
- Optical (red/green) and acoustic signalization
- Simple maintenance
- Up to 2,400 user media per e-module
- Transaction memory for the last 1,000 door movements
- Can be used on panic doors
- Integrable in Kaba exos online access control systems with CardLink™

# Kaba elologic c-lever – The Compact Solution

## Technical data

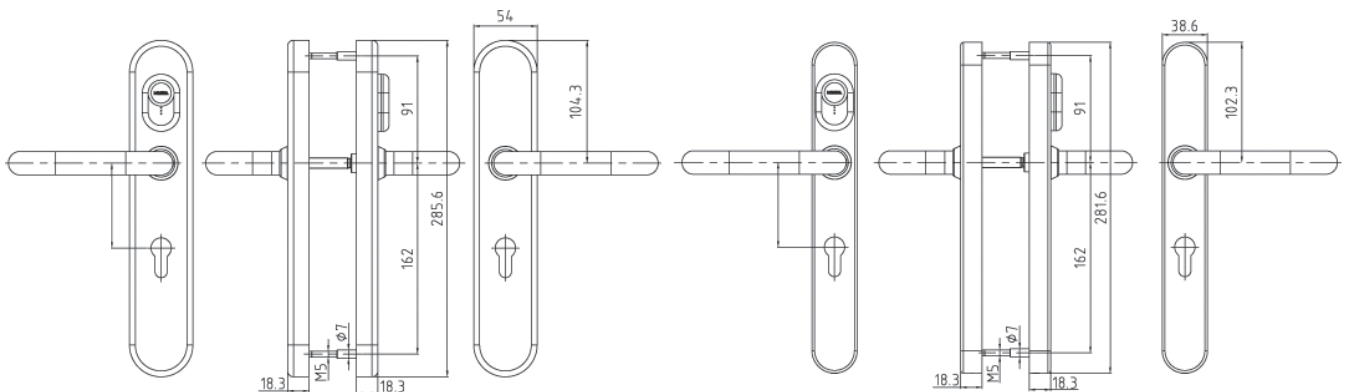
- Energy supply: Two commercial AA alkaline batteries, lithium optional
- Designation: CE
- Number of master B media: max. 200 per cylinder
- Number of user media: max. 2,400 per cylinder
- Protection class: Outer fitting meets IP54 (splash resistant)
- Temperature range:  
Outside shield: -25 to +70 °C  
Inside shield: 0 to +50 °C
- Humidity: 0 to 95% rH, non-condensing

## Programming

- Access privileges can be programmed and managed with:
- the master media,
  - the convenient programming device or
  - the "Kaba elo manager" Software.

## Configurations

- Standard version:
  - Stainless steel cover
  - Fitting width 38.5 mm (slim version)
  - Center distance from 57 to 94 mm
  - Punched for 17 mm Euro profile cylinders
  - T-Line functionalities
  - Plastic bearing
- Optional:
  - Aluminum
  - Fitting width 54 mm (wide version)
  - Punched for round cylinders 22 mm
  - U-Line
  - Roller bearing
  - Various lever handle styles



## Further Kaba Products



Accessory available for Kaba elologic c-lever: pushbar for emergency exits and panic exit looks



Kaba elologic reader



Kaba elologic digital cylinder

The KABA logo is displayed in a bold, stylized, sans-serif font. The letters are white and set against a dark blue rectangular background. A registered trademark symbol (®) is located at the top right of the letter 'A'.

**Kaba Security Pte Ltd**  
Block 203A, #07-03  
Henderson Road  
Henderson Ind Park  
Singapore 159546  
Tel. +65 6275 1211  
Fax. +65 6275 1233  
info@kaba.com.sg

[www.kaba.com](http://www.kaba.com)