

Camlock Cylinders

BMZ 83-3-032



Configuration

Brass chrome plated cylinder
Zinc-coated steel cam
Nickel-plated brass fastening nut
Reversible key made from nickel silver

Included with the cylinder

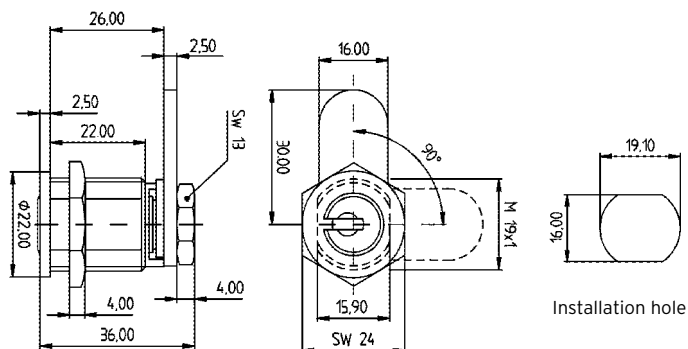
2 reversible keys
Kaba gemini S, quattro S and quattro pluS: plastic clip in Kaba blue
Kaba penta: plastic clip in dark red
1 standard cam
1 fastening nut M19 / Hex 24

Function

Lock cylinder with nut fastener
Key rotation 90°

Available systems

- | | | |
|---------------------|-------------------------------------|--------------------------------------|
| 6 Kaba penta | 7 Kaba quattro pluS | 2 Kaba gemini S |
| | 4 Kaba quattro S | |
| | 5 Kaba experT ²⁾ | 9 Kaba gemini T ²⁾ |
| | 3 Kaba quattro ¹⁾ | 1 Kaba gemini ¹⁾ |



¹⁾ The systems Kaba gemini and Kaba quattro are offered for expansions only!

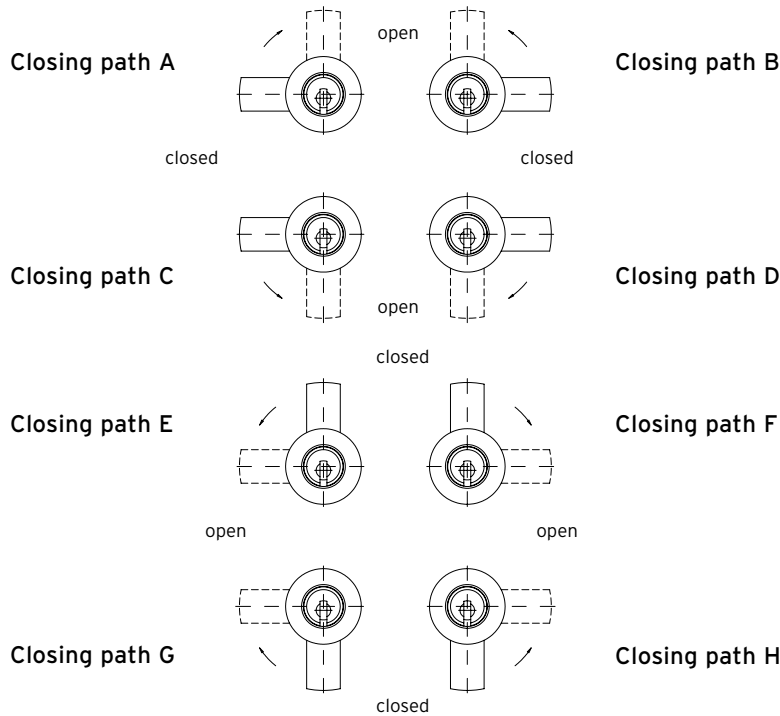
²⁾ Kaba experT and Kaba gemini T systems are only sold to authorized dealers.

Camlock Cylinders

BMZ 83-3-032



Cam settings

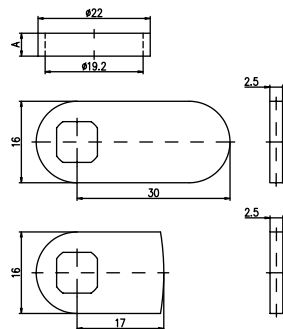


Accessories

Distance sleeve type 92-4-061, A = 4.5 mm
 Distance sleeve type 92-4-121, A = 5.5 mm

Standard cam type 93-4-227

Cam type 98-4-030



Order Code

* . BMZ83-3-032.MOD.LI. **	Left
* . BMZ83-3-032.MOD.RE. **	Right

* System code number (1, 2, 3, 4, 5, 6, 7, 9)

** Surface Finishes

Natural nickel	NI
Standard/natural brass	MS
Standard antique brass	MSA
Polished brass	MP
Chemically nickel-plated	NIC
Standard chrome	CRS
Polished chrome	CRP
Dull chrome	CRM
Light brown	BH
Medium brown	BM
Brown, dark/black	BD
Gold plated	GO

¹⁾ The systems Kaba gemini and Kaba quattro are offered for expansions only!

²⁾ Kaba experT and Kaba gemini T systems are only sold to authorized dealers.

Camlock Cylinders

BMZ 1031 / 1061



Configuration

Brass chrome plated cylinder
Zinc-coated steel cam
Nickel-plated brass fastening nut (also for other configurations)
Reversible key made from nickel silver

Included with the cylinder

2 reversible keys
Kaba gemini S, quattro S and quattro pluS: plastic clip in Kaba blue
Kaba penta: plastic clip in dark red
1 standard bolt 1061-6zk (other configurations, see page K.6)
1 fastening nut M23 / 27 hex

Function

Lock cylinder with nut fastening, suitable for installation in wood and metal.
Locking latch is available for left and right doors as well as drawers.
(Standard configuration: closing path A, see "Cam Settings")

Type 1031:

One key removal setting
(only when locked)
Key rotation 90°

Type 1061:

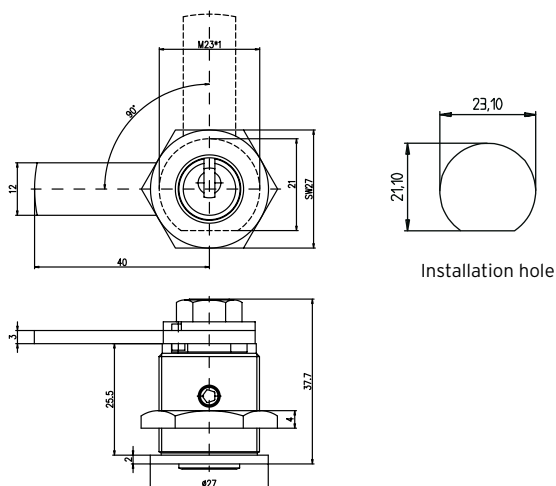
Two key removal settings
(when locked and open)
Key rotation 360°

Available systems

- | | | |
|---------------------|-------------------------------------|--------------------------------------|
| 6 Kaba penta | 7 Kaba quattro pluS | 2 Kaba gemini S |
| | 4 Kaba quattro S | |
| | 5 Kaba experT ²⁾ | 9 Kaba gemini T ²⁾ |
| | 3 Kaba quattro ¹⁾ | 1 Kaba gemini ¹⁾ |



Type 1031



¹⁾ The systems Kaba gemini and Kaba quattro are offered for expansions only!

²⁾ Kaba experT and Kaba gemini T systems are only sold to authorized dealers.

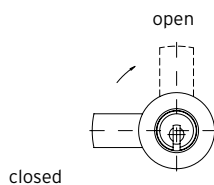
Camlock Cylinders

BMZ 1031 / 1061

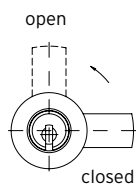


Cam Settings

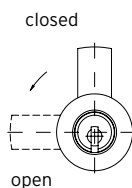
Closing path A



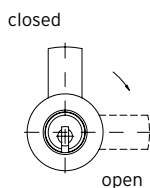
Closing path B



Closing path E



Closing path F



Accessories

see pages K.6 and K.7

Order Code

* . BMZ 1031 . **

* . BMZ 1061 . **

* System code number (1, 2, 3, 4, 5, 6, 7, 9)

** Surface Finishes

Natural nickel	NI
Standard/natural brass	MS
Standard antique brass	MSA
Polished brass	MP
Chemically nickel-plated	NIC
Standard chrome	CRS
Polished chrome	CRP
Dull chrome	CRM
Light brown	BH
Medium brown	BM
Brown, dark/black	BD
Gold plated	GO

¹⁾ The systems Kaba gemini and Kaba quattro are offered for expansions only!

²⁾ Kaba experT and Kaba gemini T systems are only sold to authorized dealers.

Camlock Cams

BMZ 1031 / 1061

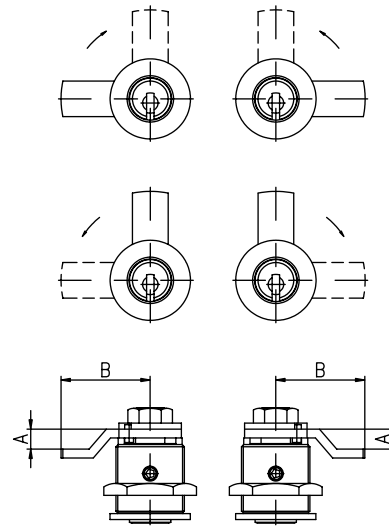


Table 1:

Bolt number	Dimensions in mm	
	A	B
1061-66	0	14
1061-68	0	20
1061-70	0	25
1061-6M	0	30
1061-6zk	0	40 (Standard)
1061-6M1	0	50
1061-6Q1	1	28
1061-6Q	1	40
1061-6Q2	1	50
1061-6Z1	2	28
1061-6Z	2	40
1061-6Z2	2	50
1061-6S1	3	28
1061-6S	3	39,5
1061-6S4	3	50
1061-6T1	4	28
1061-6T	4	39
1061-6T2	4	50
1061-6U1	5	28
1061-6U	5	38,5
1061-6U3	5	40
1061-6U2	5	50
1061-6E1	6	28
1061-6E	6	38
1061-6E3	6	40
1061-6E2	6	50
1061-6H2	7	28
1061-6H	7	37
1061-6H4	7	40
1061-6H3	7	50
1061-6V1	8	28
1061-6V	8	37
1061-6V3	8	40
1061-6V2	8	50
1061-6W1	10	28 (Renz)
1061-6W	10	35
1061-6W3	10	40
1061-6W2	10	50
1061-6X1	12	28
1061-6X	12	33
1061-6X3	12	40
1061-6X2	12	50
1061-6Y2	14	28
1061-6Y	14	31,5
1061-6Y4	14	40
1061-6Y3	14	50
1061-6A2	16	30
1061-6A1	16	40
1061-6A	16	50
1061-6B2	18	30
1061-6B1	18	40
1061-6B	18	50
1061-6C2	20	30
1061-6C1	20	40
1061-6C	20	50

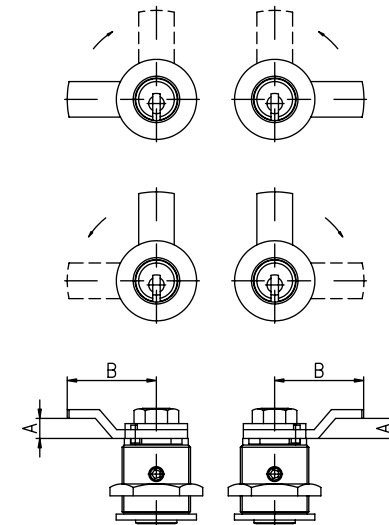
Table 2:

Cam number	Dimensions in mm	
	A	B
1061-66	0	14
1061-68	0	20
1061-70	0	25
1061-96M	0	30
1061-96ZK	0	40
1061-96M1	0	50
1061-96Q1	1	28
1061-96Q	1	40
1061-96Q2	1	50
1061-96Z1	2	28
1061-96Z	2	40
1061-96Z2	2	50
1061-96S2	3	28
1061-96S	3	39,5
1061-96S4	3	50
1061-96T1	4	28
1061-96T	4	39
1061-96T2	4	50
1061-96U1	5	28
1061-96U	5	38,5
1061-96U3	5	40
1061-96U2	5	50
1061-96E1	6	28
1061-96E	6	38
1061-96E3	6	40
1061-96E2	6	50
1061-96H2	7	28
1061-96H	7	37
1061-96H4	7	40
1061-96H3	7	50
1061-96V1	8	28
1061-96V	8	37
1061-96V3	8	40
1061-96V2	8	50
1061-96W1	10	28 (Renz)
1061-96W	10	35
1061-96W3	10	40
1061-96W2	10	50
1061-96X1	12	28
1061-96X	12	33
1061-96X3	12	40
1061-96X2	12	50
1061-96Y2	14	28
1061-96Y	14	31,5
1061-96Y4	14	40
1061-96Y3	14	50
1061-96A2	16	30
1061-96A1	16	40
1061-96A	16	50
1061-96B2	18	30
1061-96B1	18	40
1061-96B	18	50
1061-96C2	20	30
1061-96C1	20	40
1061-96C	20	50



Right, table 1

Left, table 2



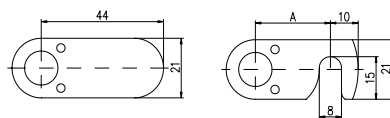
Right, table 2

Left, table 1

Bolt No.

1061-601A	18
1061-601B	22
1061-601C	27
1061-601D	32

Dimension A in mm



1061-601

1061-601 A, B, C, D

Locking latches 1061-601 and 1061-601A, B, C, and D can be used on the left and right.

Camlock Accessories

BMZ 1031 / 1061



Order Code

1031-29	Rosette Material: Brass, dull nickel-plated		
1031-20	Lock washer Turning protection for cylinder assembly in wood or plastic doors Material: Zinc-coated steel		
1031-23	Lock washer for welding Material: Bare steel		
1031-23A	Lock washer Turning protection for plate Material: Nickel-plated steel		
1031-23B	Lock washer Turning protection for glass Material: Nickel-plated steel		
1031-24A	Lock washer With points for drilling Material: Nickel-plated steel		
1031-21 1031-17 1031-18 1031-25 1031-19 1031-26	Distance sleeve Material: Brass, dull nickel-plated L = 2.5 mm L = 5 mm L = 10 mm L = 12 mm L = 14 mm L = 15.5 mm		

Camlock Accessories

BMZ 1031 / 1061

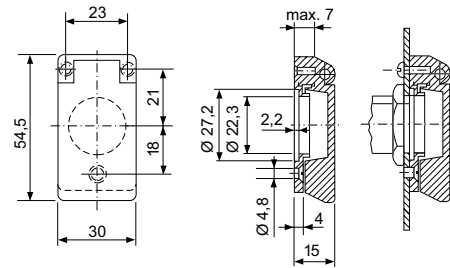


Order Code

2020C
Rosette with protective cover
Protection against weather
Material: Aluminum
Spring loaded cover

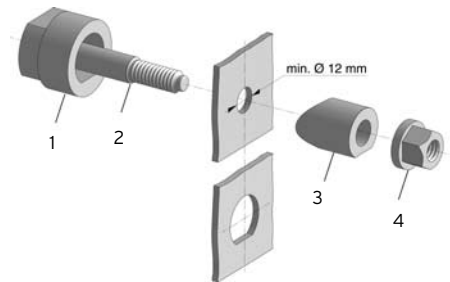


2020D
Rosette with protective cover
Protection against weather
Material: Aluminum
Without spring



750 291
Screw punch tool
for cylinder hole 1031/1061
Suitable for material thicknesses up to 2 mm

- 1 Die plate
- 2 Guide shaft
- 3 Punch
- 4 Collar nut



¹⁾ The systems Kaba gemini and Kaba quattro are offered for expansions only!
²⁾ Kaba experT and Kaba gemini T systems are only sold to authorized dealers.